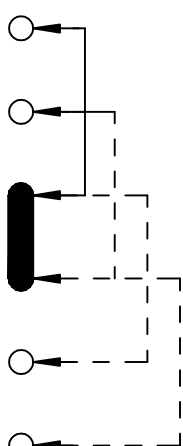
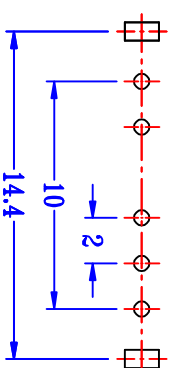
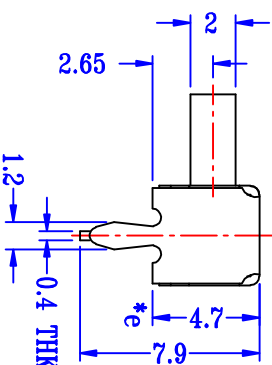
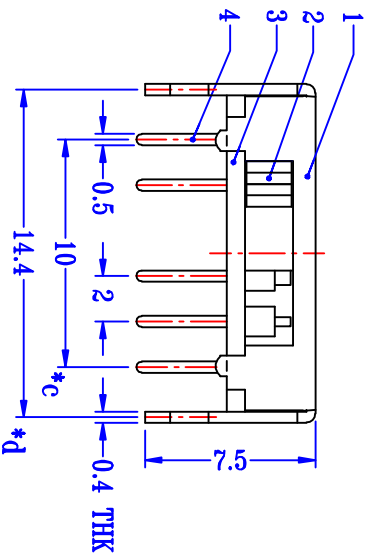
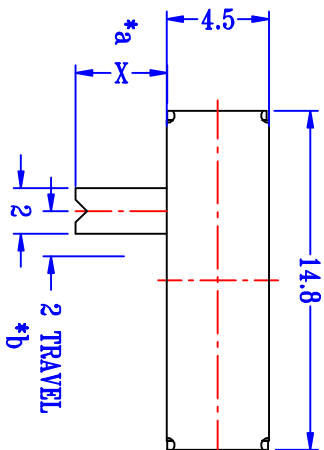




CAD FILE:



8																					
7																					
6	SPRING PLATE	PBS STRIP	1	NATURAL	TOLERANCE																
5	CONTACT CLIP	PBS C5210R-EH	1	Ag CLAD	UNLESS SPECIFIED																
4	TERMINAL	BRASS STRIP	5	Ag PLATED OVER Ni PLATED	WITHIN 1.5mm : ±0.1mm OVER 1.5mm : ±0.2mm	A															
3	BASE	PHENOLIC RESIN	1	NATURAL	TITLE : HORIZONTAL SLIDE SWITCH	DATE															
2	KNOB	POM	1	BLACK	MODEL: SK-14D02 (5#)	SCALE: 3:1															
1	FRAME	STEEL STRIP	1	Ni PLATED																	
NO.	PARTS	MATERIALS	Q'TY	FINISH	初版		DESCRIPTIONS OF REVISION		APPD.												

弘轩电子有限公司