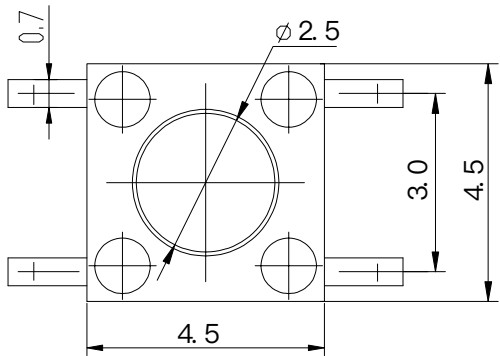
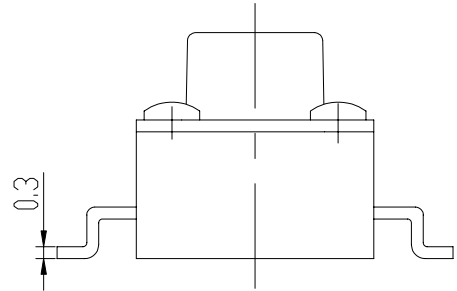
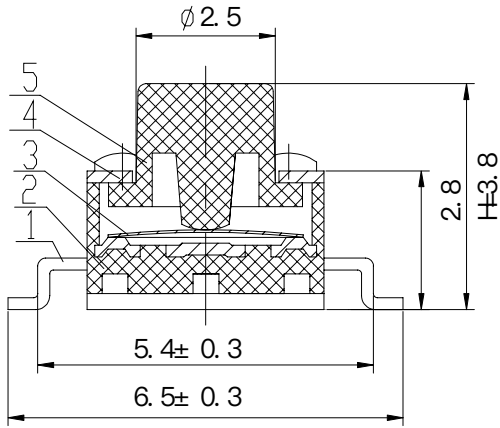
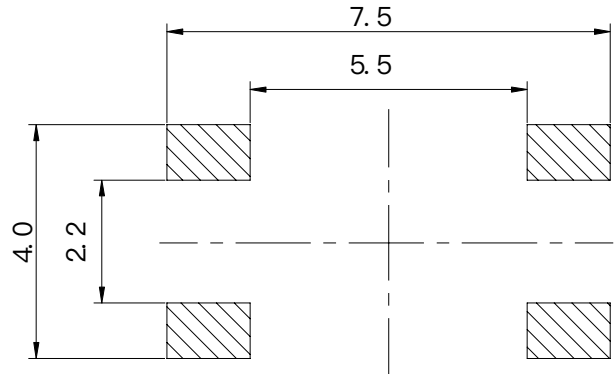


CUSTOMER	CUSTOMER'S P/N	GYE'S P/N	PRODUCT	REVISION
		TD-10XA-250G	TACTSWITCH	A



P. C. B LAND PATTERN



NO.	NAME	MATERIAL	NATIONALITY	QTY.	FINISHING
1	TERMINAL	Brass	China	1	Silver plating
2	CASE	POM	China	1	Black
3	CONTACT	Phosphor bronze	Korea	1	Contact side silver plating
4	COVER	SPCC-SD	China	1	CuSn plating
5	STEM	POM	China	1	

HZP ELECTRON CO., LTD